

CWD-230

T2FD type Folded-Dipole
2~30MHz

Thank you for your purchasing our product.

For your safety :

Read this manual carefully for proper handling and operation before using.

Keep this manual in a safe place for future reference.

Instruction Manual



Warning

you might be killed or injured if you don't follow the below instructions.



Caution

You could be injured, or property damage could be caused if you don't follow the below instructions.



Warning : you might be killed or injured if you don't follow the below instructions.

- ① Select a safe place, according to the related laws and regulation in your country.
- ② Choose a calm day to erect the antenna to avoid accidents.
- ③ Do not try to erect the antenna while lightning.
- ④ Do not touch the antenna while transmitting, otherwise you might get burned.
- ⑤ Do not erect this antenna near any overhead wires or illuminating lamps. It would cause a serious accident if the antenna falls.
- ⑥ Select a stable site. Erecting the antenna in a precarious place might cause serious accident.
- ⑦ Be careful not to fall any tools or screws from the high place while erecting the antenna.

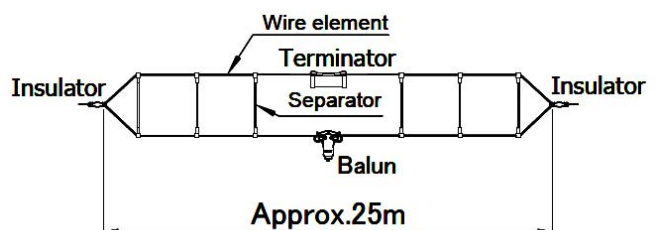
Make sure to fix the coax cable securely. Otherwise stiff wind could fan the cable, and cause the serious damage.



Caution

- ① Check SWR before using. COMET Antenna Tuner CAT-300 is highly recommended for tuning. (In case you use the tuner, make sure to check its max power.)
- ② Operation at this antenna in a residential area is likely to cause interference. You'll be required to take whatever measures to correct the interference.
- ③ This antenna is outdoor large equipment, so you'll be careful when you erect this antenna in order not to bother your neighbors.

● Appearance



● Specifications

Frequency Range : 2-30MHz

Input Impedance : 50Ω

Max. Input Power : 150W (PEP)

VSWR : 2.0 or less (2-18MHz), 3.0 or less (18-30MHz)

Connector : Balun SO-239 (M-J type)

Antenna length : Approx. 25m (82ft)

● Parts List

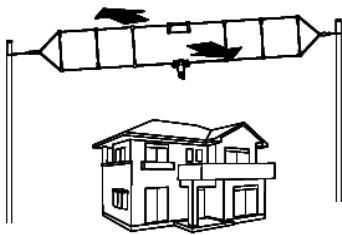
1. CWD-230 Antenna ... 1 set
(w / Balun)

● Installation instructions & image

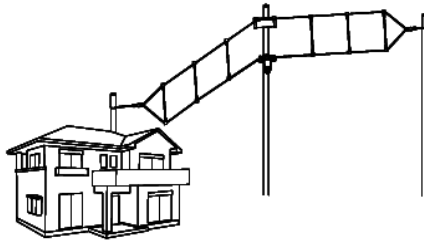
1. Confirm if it complies with the safety standard or related laws in your country.
2. Keep the antenna as parallel as you can. Turn the Terminal-R up and the balun down. Use the nonmetallic rope to fix the both ends of antenna to the pole.
3. After inserting the connector, Stretch the self-fusing tape two times longer and wrap it around the connector. Wrap the vinyl tape on the self-fusing tape to keep weather resistance in case you use it for a long time.

● Installation Image

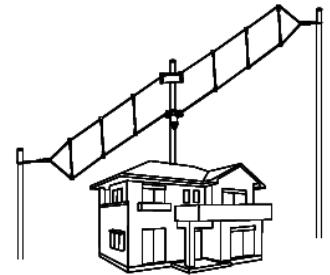
Max. Radiating Direction



Flat Top Installation



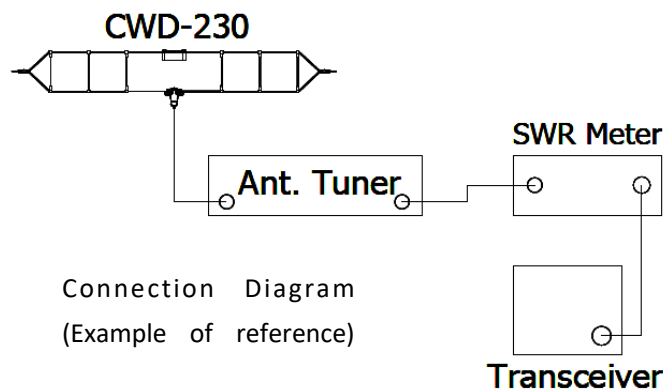
Inverted V shape Installation



Sloper Installation

● How to check VSWR

1. VSWR could be changed due to the environmental influence.
Check before using if VSWR is in the normal range(around 2.0 or less).
2. Measure VSWR in the shortest possible time, at the lowest power. Strong radio signals could be blanketing.
3. As necessary, follow the below diagram.
Surrounding buildings, trees or low ground height could be the cause of high VSWR. 10m or more above the ground is highly recommended.



COMET CO.,LTD.

336-0026 Japan

4-18-2, Tsuji, Minami-ku, Saitama City, Saitama-Pref

TEL: +81-48-839-3131 , FAX: +81-48-839-3136

URL [http : //www.comet-ant.co.jp](http://www.comet-ant.co.jp)

Appearance and specifications are subject to change without notice.

2nd edition. May 2018